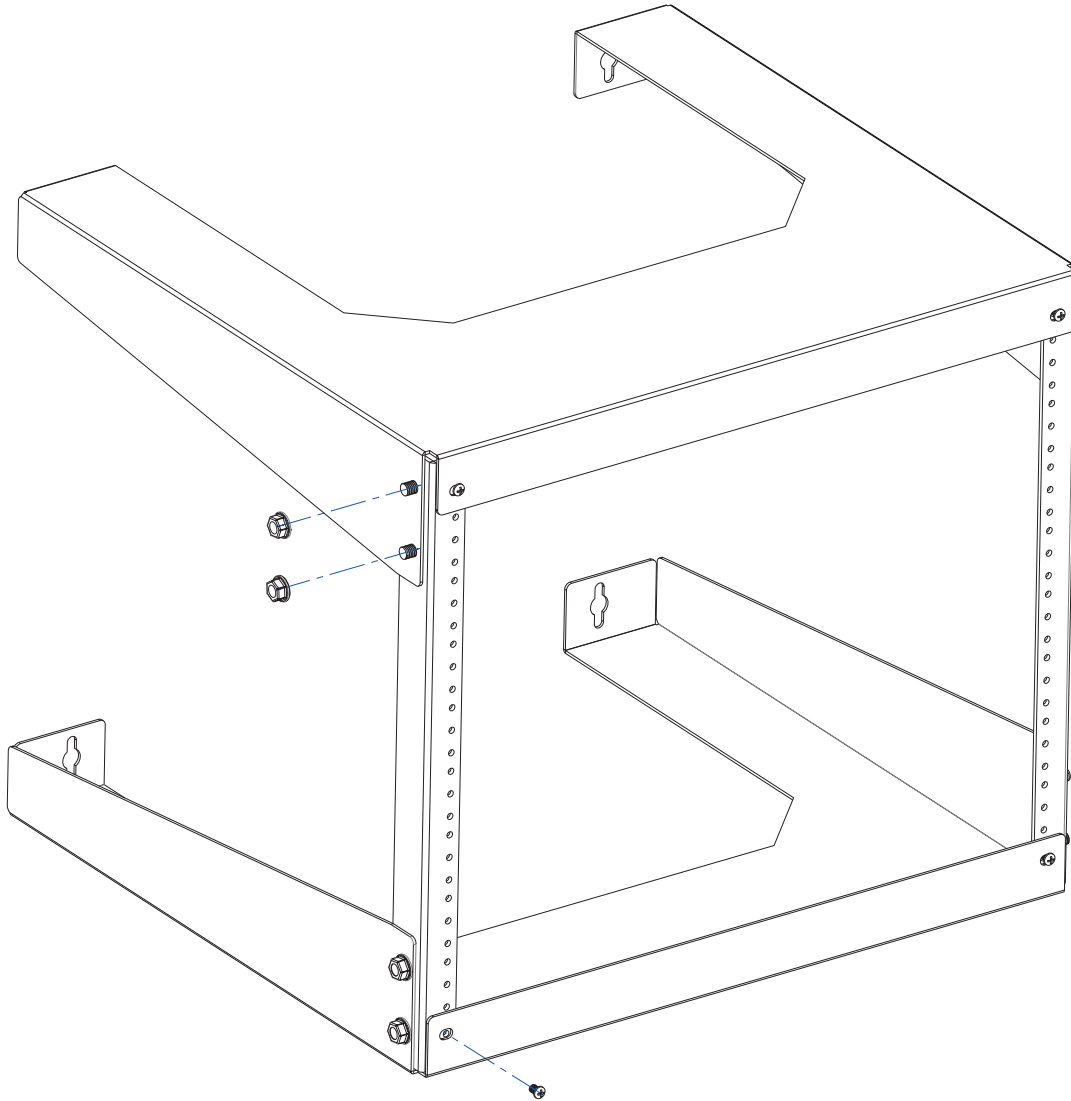


WALL MOUNT RACK, 8 RMS

0E-WMR8RMS



Package Includes:

Top Support	1 PC
Bottom Support	1 PC
Side Rail	2 PCS-16.89"L
Flange Nut	8 PCS
#10-32 x 1/2" Screw	4 PCS

Features:

17.15" Height x 19.71" Width x 18" Depth
Supports Up To 125 Pounds Of Equipment
Made With #10-32 Threaded Rack Rails
Heavy Duty Steel Construction
Ideal For Small Data And Telecom Installations